



producing quality



MICROSCOPES

OP-Dent 5 OP-Dent

OP-Dent 5 / Dent



ERGONOMICS AND VERSATILITY

The OP-Dent 5 and OP-Dent microscopes manufactured by OPTOMIC fulfil the most demanding requirements in the dental field.

They offer one of the widest ranges of lighting systems and beam splitters, as well as image and video capture and treatment devices in the market.

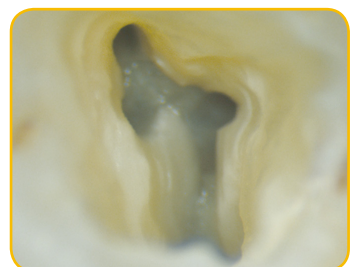
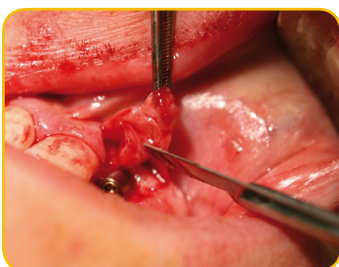
Their excellent optical and mechanical features, together with their great mobility and versatility, make these microscopes the ideal equipment for any treatment.

The sturdiness and stability of these microscopes, as well as the freedom of movement, enable the head to be placed in any desired position to allow the specialist to adopt an ergonomic posture.

COMPACT AND VERSATILE

Its arm can be folded to minimum dimensions, thus resulting very practical in the specialist's office as it occupies very little space.

VERSATILITY FOR ALL DENTISTRY TECHNIQUES



The OP-Dent 5 microscope is designed and built using the most modern and precise manufacturing systems.

Soft Move is our exclusive movement and braking system, which provides OPTOMIC equipment with a play-free turning mechanism and an excellent mobility, smooth and precise. Soft Move is supported by the great sturdiness and stability of the highly resistant conical cylinder bearings and a unique braking

system. The large central knob of this braking system acts by freeing or braking the turning movements with absolute precision, enabling even a total blockage.

The Soft Move system provides the specialist with extremely smooth and accurate movements, permitting the doctor to adopt a comfortable and ergonomic position during examination and surgery. The head, with its

swinging and directional movement, has a brake in each position, as well as a micrometric focusing knob. The magnifications changer is mounted on angular contact bearings, providing free lubrication maintenance, inexistence of play and an absolute accuracy in the rotation and vision of the equipment. This system is exclusive of OPTOMIC equipment.

supports

SUPPORTS

Rolling Floor Stand

The floor stand is of such reduced dimensions that the microscope can be positioned close to the dental equipment without interfering with the rest of the apparatus. This very stable rolling floor stand has 5 double rubber wheels with independent brakes. These features give our equipment a great mobility as well as perfect balance and safety.

Fixed Floor Mount

This floor mount confers the microscope with a great stability. Its base has a diameter of only 360mm and is directly fixed to the floor, making it possible to position it very close to the operative unit.

Wall Mount

With the long arm of this space-saving design, the specialist is able to work at a considerable distance from the wall. When not in use, it can be folded against the wall. Using an optional extension, a maximum 2.10 m radius can be achieved, thus guaranteeing the desired reach.

Ceiling Mount

This type of mount provides comfort and agility in the specialist's office and surgery rooms.



INTELLIGENT COMPATIBILITY AND INNOVATION

Beam Splitters

OPTOMIC offers a complete range of beam splitters to meet the needs of every specialist.

OP-TV8

Compact video microscopy system with built-in CCD high resolution camera.



OP-TV10 HD

Compact video microscopy system with built-in CMOS HD high resolution camera.



OP-TV DC + DIGITAL CAMERA

With an exclusive system to adapt it to digital photographic cameras.



OP-TV CLICK

It adapts to any endoscopy CCD camera to obtain microscopic images with digital output of outstanding resolution.



lighting LIGHTING

FIBROLUX LED HP

The latest technology in LED illumination with the highest light intensity in the market; this is achieved through our unique optical light condensation system. Extensive lifespan of 60,000 hours. Two colour temperatures: white and warm lights. It features an amber filter to prevent the premature curing of composite materials. Power outputs for accessories such as monitor, camera or laptops.





Binoculars

The OP-Dent microscopes offer two options:

- 0° to 240° inclinable binocular: Its wide turning range allows for the ideal positioning of the microscope as well as the most ergonomic posture of the specialist.
- 45° binocular: Compact binocular with a fixed angle that allows the doctor to carry out the treatment in a direct and indirect manner.



Objectives

- Standard 250mm.
- Optional 200mm, 300mm and 400mm.

Thanks to its large diameter lenses, it favors the coaxial illumination of the observation axis, offering a homogeneous and bright illumination field, as well as a better light transmission and an optimum lighting of the area explored. The $f=400$ mm objective enables it to be used as illumination and documentation system for external or extraoral fields.



Eyepieces

Standard: 10x widefield eyepieces.

Optional: 12,5x and 16x widefield eyepieces.

Large diameter lenses.

The optical coating offers a high resolution, contrast and definition, providing bright and chromatically real images, and an extraordinary viewing quality.



Effective Magnifications

OP-Dent 5

5-step Galilei changer, permitting magnification from 2x up to 34x, depending on the chosen combination of objective, binocular and eyepieces.



OP-Dent

3-step Galilei changer, permitting magnification from 3x up to 22x, depending on the chosen combination of objective, binocular and eyepieces.

OPTOMIC designs and manufactures all of its optical components with the highest quality and precision standards, using the best glass types and coatings, resulting in equipment of great reliability and excellent optical quality.

digital microscopy

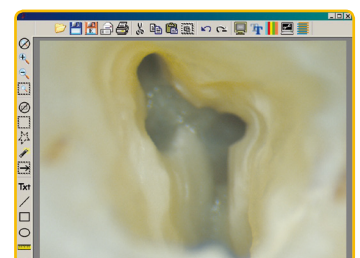
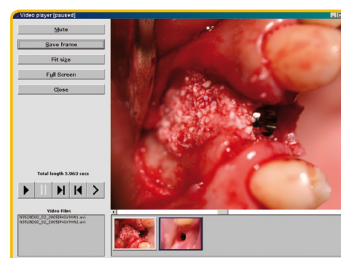
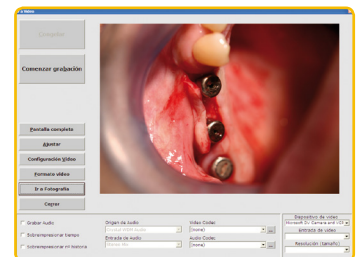
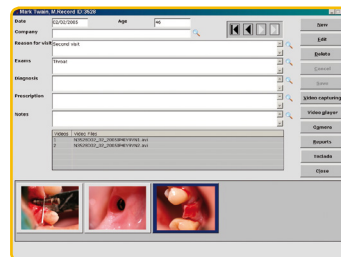
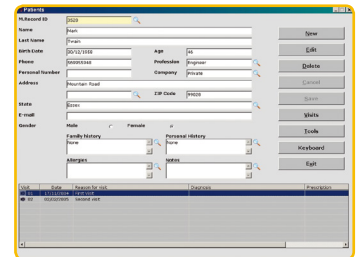
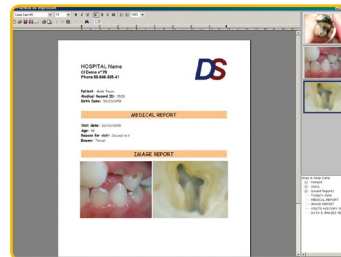
DIGITAL MICROSCOPY

Digitally Soft

Digital microscopy integrates the features of the OP-Dent 5 and OP-Dent microscopes and the advantages of the digital image, video and data capturing system, Digitally Soft.



Our Digitally Soft image processing software makes it possible to obtain reports, export images and videos and compare the pre- and post-treatment conditions. It also admits statistical studies, area calculations, compares measurements and has other functions which permit the patient's data to be processed in a simple and agile manner.



HD Includes HD version
Digitally Soft
Digitally Soft

dental microscopy-endoscopy

DENTAL MICROSCOPY-ENDOSCOPY

Two in one

In the OPTOMIC digital video-microscope we find the integration of the techniques of dental microscopy and endoscopy thanks to the compatibility of the lighting and image systems.

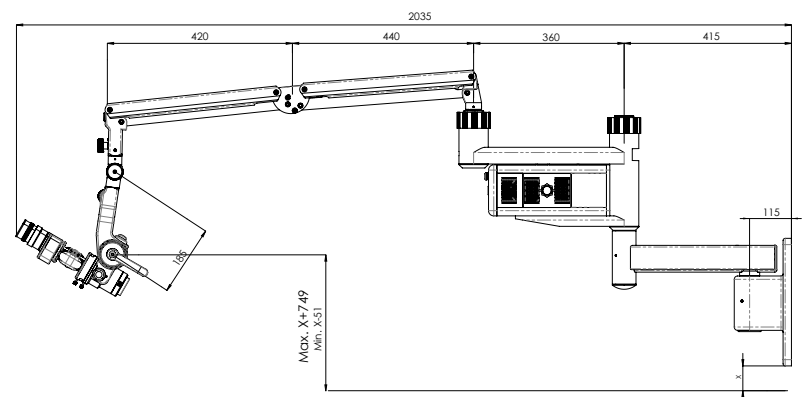
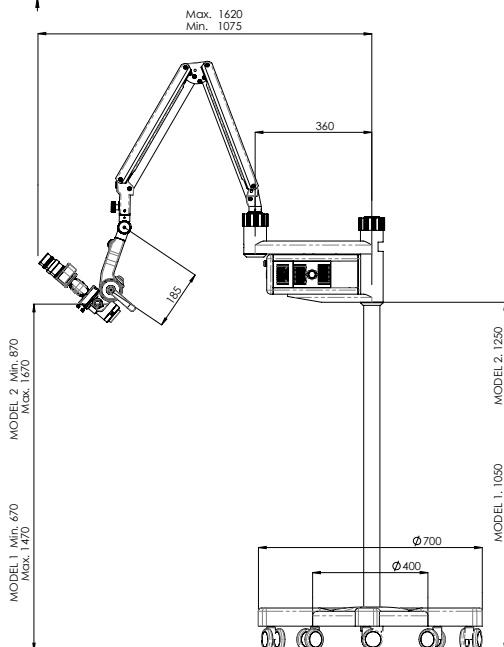
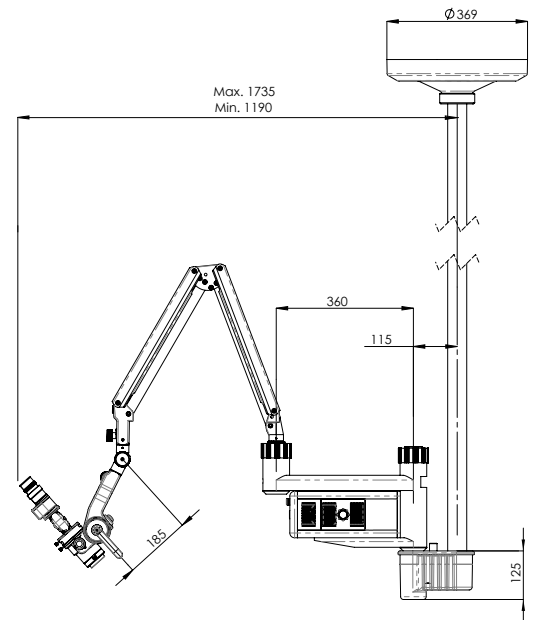
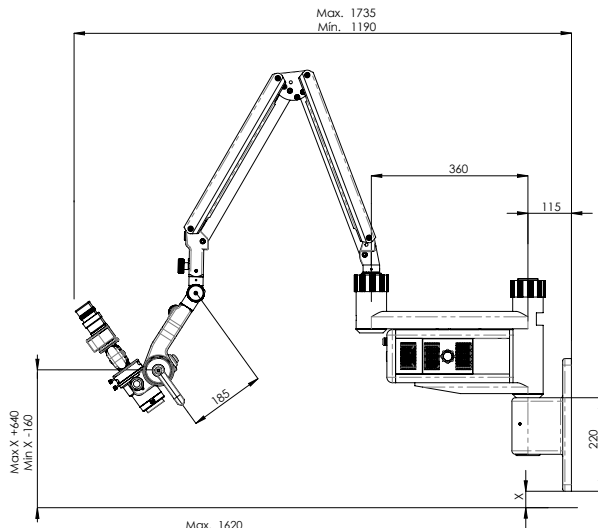
Simply connecting a fiber optic cable to the output of the microscope's light source and using the microscope's camera (CCD 1428/714) will result in a perfect dental endoscopic equipment, optimizing both space and resources.

Its uses range from surgical applications with dental endoscopes to diagnostic applications, using it as an intraoral camera.



dimensions

DIMENSIONS



technical features

TECHNICAL FEATURES

OP-Dent 5 / OP-Dent

HEAD	Stereoscopic head with micrometric focus
BINOCULAR	0° to 240° inclinable binocular or 45° fixed angle binocular
ILLUMINATION SYSTEM	LED light source
LIGHT CONDUCTION	Fiber optic cable
EYEPIECES	10x widefield eyepieces. 12.5x optional
MAGNIFICATIONS CHANGER	For OP-Dent 5: 5-steps Galilei (0,4x, 0,6x, 1x, 1,6x y 2,5x) For OP-Dent: 3-steps Galilei (0,6x, 1x, 1,6x)
OBJECTIVE	250mm standard objective. 200mm, 300mm and 400mm optional
HEAD AND ARM	With brakes and movements using angular contact bearings and high resistance conical cylinder bearings, Soft Move system
VOLTAGE	100/240V 50/60Hz
ISO	ISO 13485 (medical use)
MOUNTING OPTIONS	Floor, wall or ceiling mount
ACCESSORIES	Beam splitters and video systems Digitally Soft software Monitor support Laptop tray Camera tray

OPTOMIC ESPAÑA S.A.

Madroño, 4. E-28770 Colmenar Viejo, Madrid, Spain
Tel: +34 91 804 44 44 • Fax: +34 91 803 84 14
export@optomic.com • www.optomic.com

